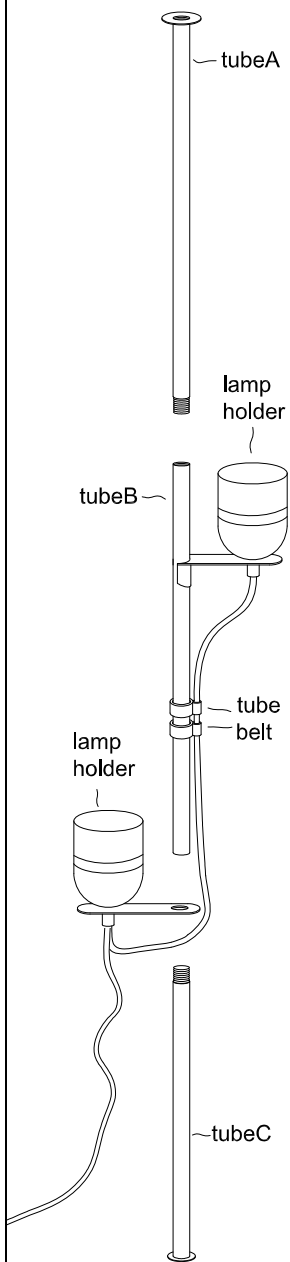
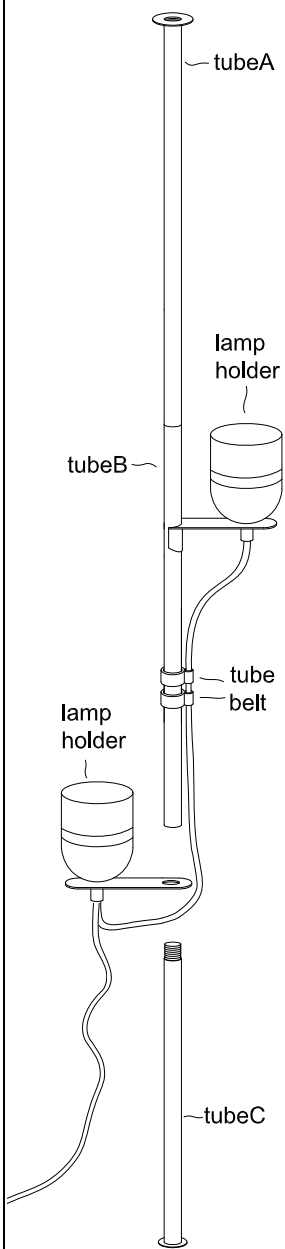


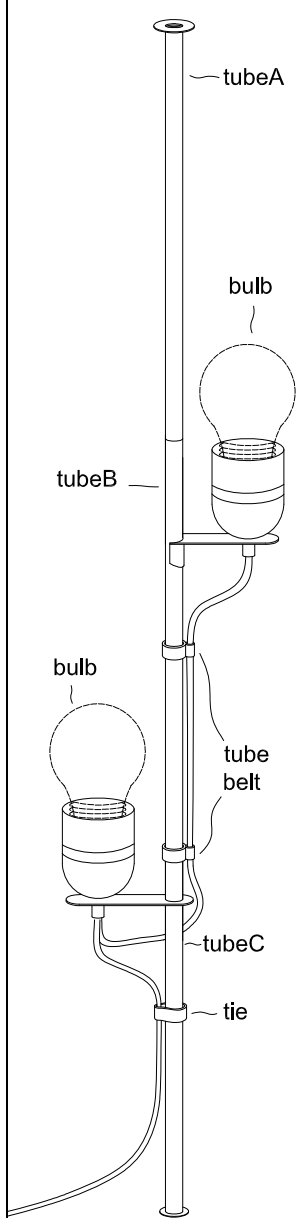
1



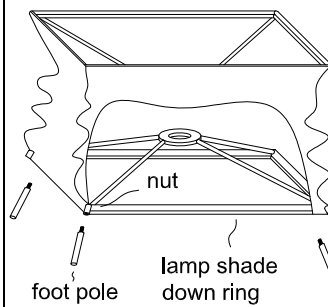
2



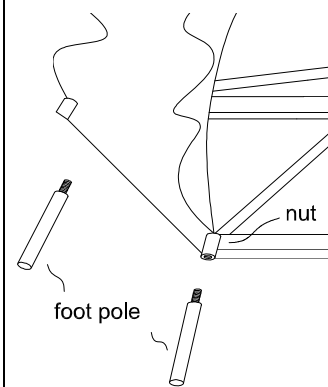
3



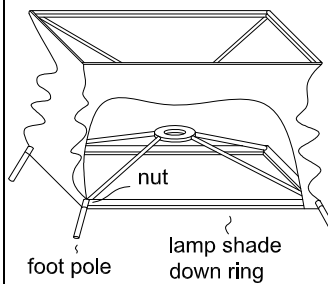
4



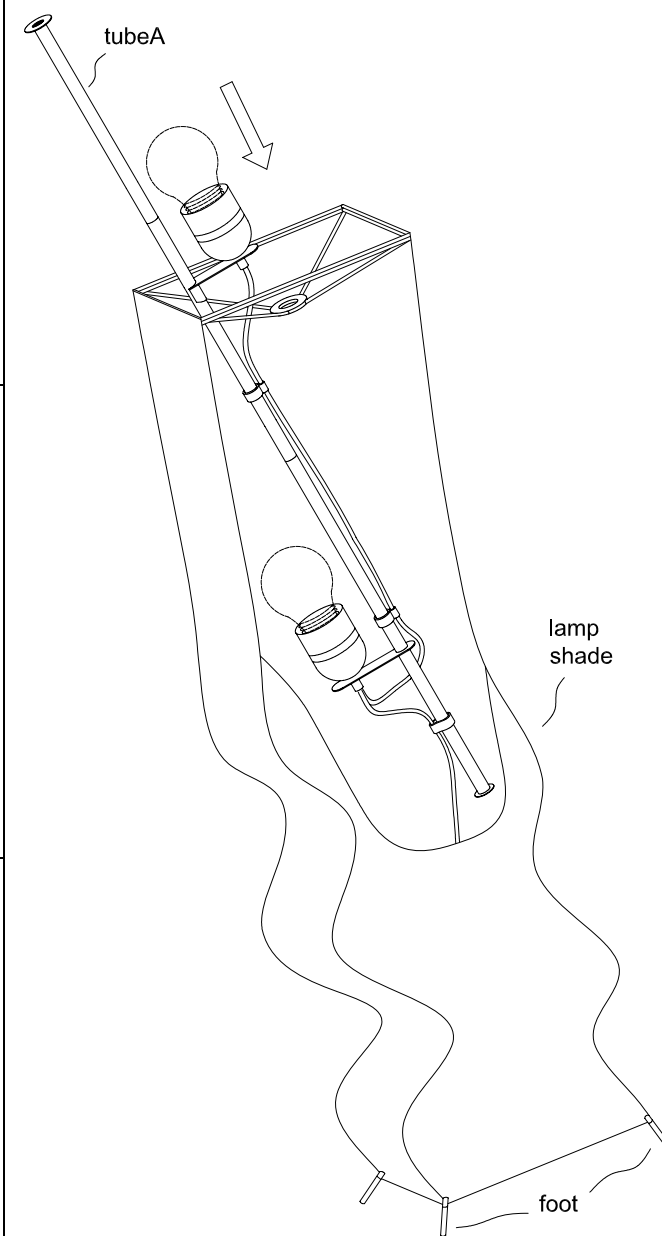
5

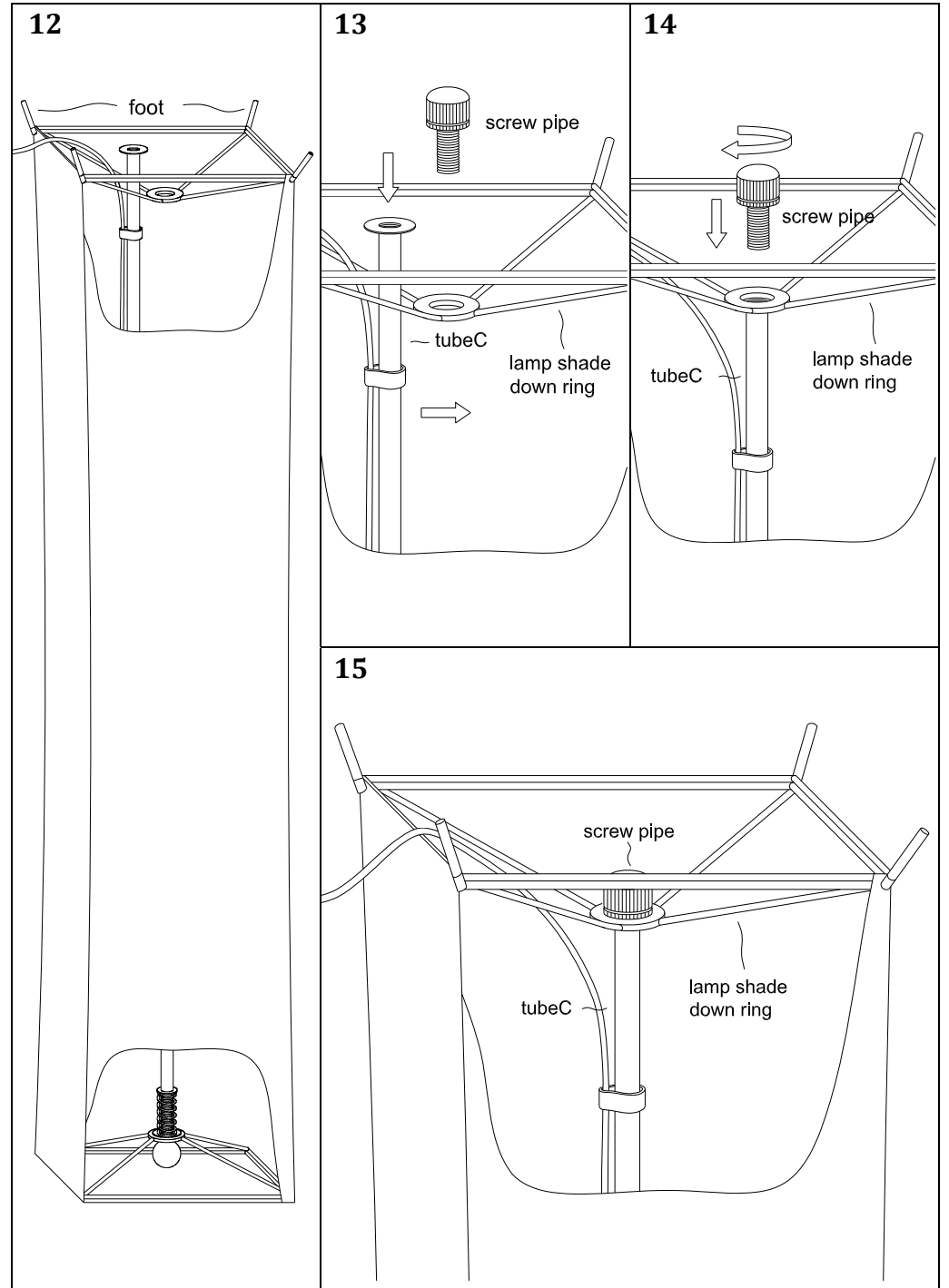
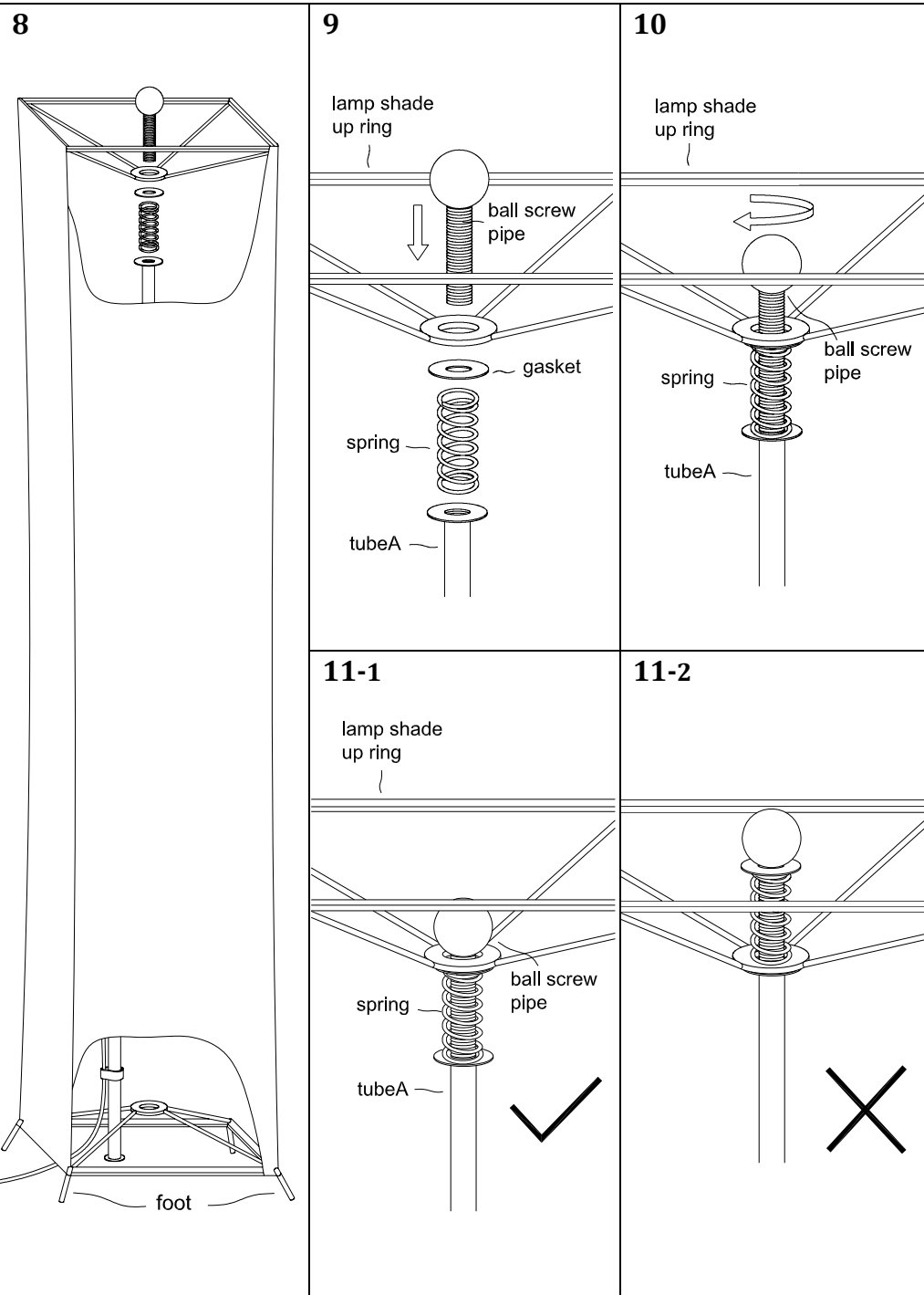


6



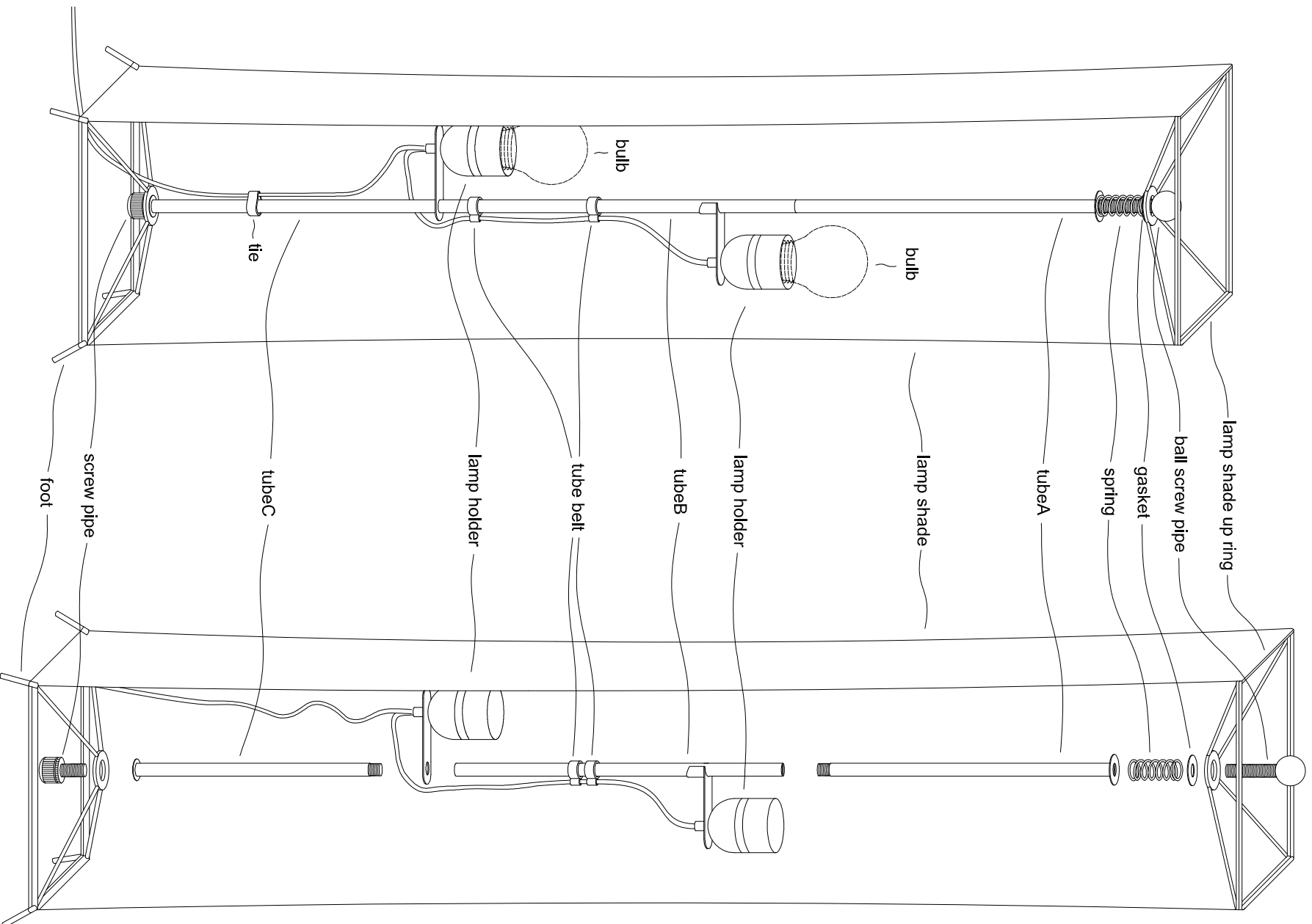
7





After

Before



PLS assemble the lamp step by step according to the installation diagram (figure1~figure15)

Notes:

PLS assemble strictly according to the order in the drawing and in the order of the position of the illustrated accessories, otherwise the assembly will be hard to be finished, and the lamp may be damaged!

Screw the tubes tightly to avoid loose.

Do not turn the ball screw pipe too tight.

Cleaning notes:

The folds of the lampshade will eliminate after several days. The shade is easy to be cleaned with a wet towel.

Light source:

Max. 60W*2, CFL bulb (11-19W)*2 or LED bulb (5-13W)*2.

Package Included:

lampshade*1, supporting tubes and electric appliances suite*1 (tube A,B,C), the accessories bag*1 (ball screw pipe(long)*1, screw pipe(short)*1, spring*1, gasket*1, foot pole*4, tie*1), bulb*2.

Specifications:

Article name:	SOFTLIGHTING Floor lamp
Item No.:	SF213-107
Material:	Tyvek(DuPont), Steel
Shade:	Collapsible
Style:	Contemporary, Simple
Room:	Living room/Bedroom/Study/Hotel room
Shade Color:	White
Product size:	W20×H100cm
Cord:	2.5m, line switch
Lamp holder:	E26/27 ×2
Power:	Max. 60W ×2



Designed and made by Chiphy® Lighting

Copyright © 2014-2019 Chiphy® Lighting All Rights Reserved

www.chiphylighting.com